

ASO SERIES

Current Operated Switches

ASO Series Low-current Sensors are specialized current operated switches that combine an ultra-sensitive current transformer and signal conditioning electronics into a single package for sensing AC current from 3–350mA. Useful for signal or lamp status monitoring, detecting minute fault currents or fan proving, the ASO Series features solid-state outputs and jumper-selectable ranges, which make it a versatile choice for low-current status indication applications.



Applications

Fan Monitoring

- Fan status in heating and drying applications.
- Identify lamp outages or other malfunctions through changes in current consumption.

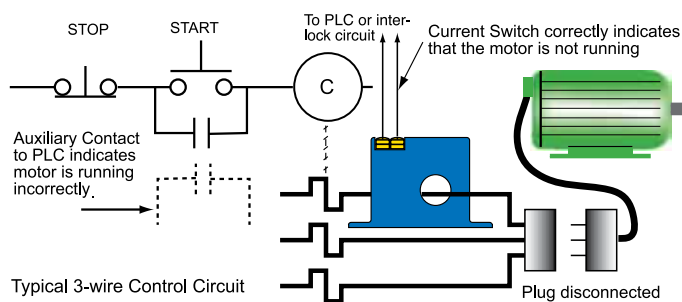
Fractional HP Motors

- Ideal for monitoring small motors used in critical applications, for example, fan-proving on a crucial cooling fan.

Fault Current Sensing

- Detects extremely low levels of current resulting from fault conditions.

Status Alarming



Features

Wide Range of Output Options

- Dependable, solid state switch N.O. or N.C. contacts rated at 240VAC or 30VDC.
- Compatible with most automation controllers.

Isolated Inputs and Outputs

- Inductive sensing eliminates insertion loads on monitored circuits, effectively isolating it from the unit.
- Isolated outputs simplify wiring and enhance safety.

Adjustable Setpoints

- Setpoints are field adjustable from 3mA to 350mA, speeding installation and allowing for tailored applications.

UL, CUL and CE Approval

- Accepted worldwide.

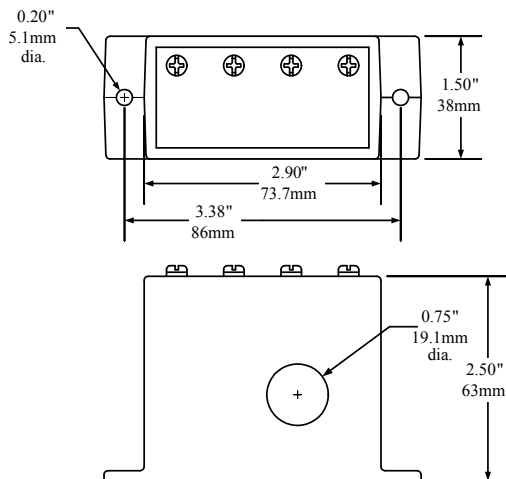


Free program expedites evaluation process. See page 1 for details.



Dimensions

Case

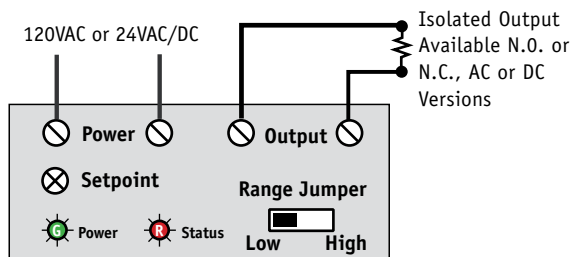


Specifications

Power Supply	Operates from $\pm 20\%$ of nominal voltages
Nominal Voltages	120VAC (50–400Hz) or 24VAC/DC
Power Consumption	2.5 Watts
Output Rating	<ul style="list-style-type: none"> AC Version: 1A @ 240VAC DC Version: 0.15A @ 30VDC
Response Time	<ul style="list-style-type: none"> 150 ms @ 5% above setpoint 100 ms @ 50% above setpoint
Setpoint Range	<ul style="list-style-type: none"> Low Range: 3–15mA Field Adjustable High Range: 15–350mA Field Adjustable
Maximum Input	10A
Isolation Voltage	600VAC (Monitored Circuit)
Frequency Range	50–400Hz (Monitored Circuit)
Case	UL94 V0 Flammability Rated
Environmental	-58 to 122°F (-20 to 50°C) 0–95%RH, non-condensing
Listings	UL Listed*, CSA Approved, CE Certified

*Consult factory for UL Listed models.

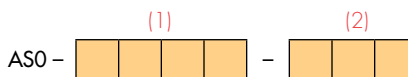
Connections



Notes:
 Terminals are #6 screws.
 Use up to 14AWG solid or stranded.
 Power connections are not polarity sensitive.
 DC output connections are polarity sensitive.

Ordering Information

Sample Model Number: ASO-NODC-120
 Ultra low current sensor, normally open solid state DC output and 120VAC power supply.



(1) Output Type

NCAC	Normally Closed, 1A @ 240VAC
NOAC	Normally Open, 1A @ 240VAC
NCDC	Normally Closed, 0.15A @ 30VDC
NODC	Normally Open, 0.15A @ 30VDC

(2) Power Supply

24U	24VAC/DC
120	120VAC

