

AS1 SERIES COMPACT CASE AC Current Switch

The AS1 Series Compact Case current sensing switch is a compact, inexpensive, easy-to-use ring which slips onto a conductor to give a solid state contact for indication of current flow. Ideal for use in control panels, or wherever confirmation of current flow is desired, AS1 Series-CC current switches are a cost-effective way to detect live conductors and see current flow to fans, heaters, pumps, lighting or other AC powered devices.



Applications

- Quick reporting of electric motor load status.
- Identify open heater circuit connection.
- Independent verification that the load is energized.
- Confirmation of operation for critical lighting or equipment.

Features

Low Sensitivity Turn-On Point

- Detect currents as low as 0.5A with a single conductor pass, eliminates the need to wrap conductors multiple times to increase sensitivity .

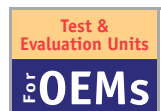
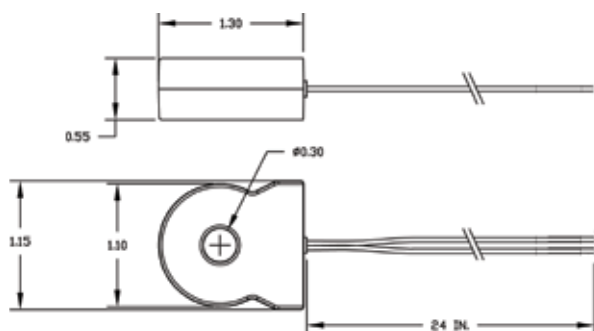
Reliable Solid-state Output

- No moving parts provide a nearly unlimited number of operations, and powered from the monitored circuit.

Choice of Outputs

- Normally Open or Normally Closed connection. Connect the leads 24" long leads to a local controller or to a terminal block for remote operation.

Dimensions



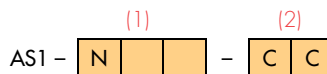
Free program expedites evaluation process. See page 1 for details.

Specifications

Output/Indication	Standard: <ul style="list-style-type: none"> • Solid-state contact, normally open • Solid-state contact, normally closed
Indicating Range	0.5A minimum
Output Rating	150mA, 120VAC or DC maximum
Dimensions	<ul style="list-style-type: none"> • Overall: 1.125"W x 0.56"D x 1.5"H • Aperture: 0.32"ID • Pigtails: 24"
Case	UL94 V0 Flammability Rated
Mounting	Slides directly onto monitored conductor
Environmental	-4 to 122°F (-20 to 50°C) 0-95% RH, non-condensing
Frequency Response	50-400 HZ
Listings/Certifications	UL 508 Industrial Control Equipment (USA & Canada pending)

Ordering Information

Sample Model Number: AS1-NOU-CC
Adjustable AC current operated switch, normally open, solid-core.



(1) Output Rating

NOU	Normally Open
NCU	Normally Closed

(2) Housing Type

CC	Compact Case
----	--------------

For additional Sample Output/Power Supply or Application Illustrations, see Supplemental Illustrations on page A80.