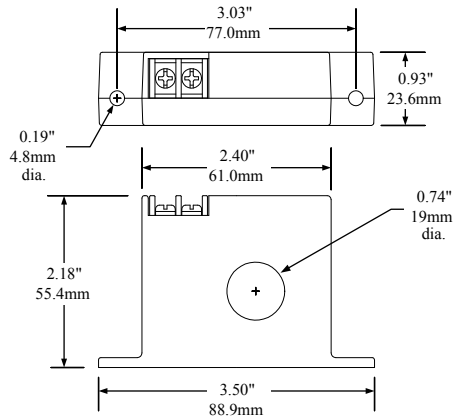
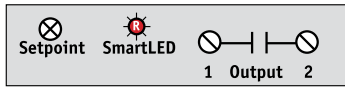


Dimensions

FT Case



Connections



Typical of Models with LED



Typical of Go/No-Go Models

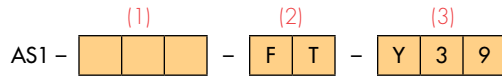
Specifications



Power Supply	None—Self-powered	
Output	Magnetically Isolated Solid-State Switch	
Output Rating	<ul style="list-style-type: none"> • N.O. Version: 0.15A @ 240VAC or VDC • N.C. Version: 0.2A @ 135VAC or VDC • Not polarity sensitive 	
Off-State Leakage	<10µA	
Response Time	120 ms	
Setpoint Range	Solid-core: 1–150A	
Hysteresis	5% of Setpoint	
Overload	6 SEC	1 SEC
	• 400A	• 1,000A
Isolation Voltage	UL Listed to 1,270VAC, tested to 5,000VAC	
Frequency Range	6–100Hz	
Sensing Aperture	-FT Case: 0.74" (19mm) dia.	
Case	UL94 V0 Flammability Rated	
Environmental	-58 to 122°F (-20 to 50°C) 0–95% RH, non-condensing	
Listings	UL 508 Industrial Control Equipment (USA & Canada), CE	

Ordering Information

Sample Model Number: AS1-NOU-FT-Y39



(1) Output Rating

NOU	Normally Open
NCU	Normally Closed

(2) Case Style

FT	Solid-core, Top Terminals
----	---------------------------

(3) Options

Y39	Output Contact Bypass
-----	-----------------------

