

# AT SERIES

## Current Transducers

AT Series Current Transducers combine a current transformer and signal conditioner into a single package. The AT Series has jumper selected current input ranges and industry standard 4–20mA, 0–5VDC or 0–10VDC outputs. The AT Series is designed for application on 'linear' or sinusoidal AC loads. Available in a split-core case or two types of solid-core cases.



### Applications

#### Automation Systems

- Analog current reading for remote monitoring and software alarms.

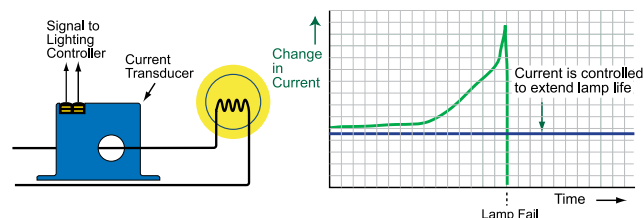
#### Data Loggers

- Self-powered transducer helps conserve data logger batteries.

#### Panel Meters

- Simple connection displays power consumption.

### Preventative Maintenance of a Critical Lighting System



For additional Sample Output/Power Supply or Application Illustrations, see Supplemental Illustrations on page A80.



Free program expedites evaluation process. See page 1 for details.

### Features

#### Accurate

- Factory matched and calibrated single piece transducer is more accurate than traditional two-piece field installed solutions.

#### Average Responding

- "Average Responding" algorithm gives an RMS output on pure sine waves. Perfect for constant speed (linear) loads.

#### Jumper Selectable Ranges

- Reduces inventory.
- Eliminates zero and span pots.

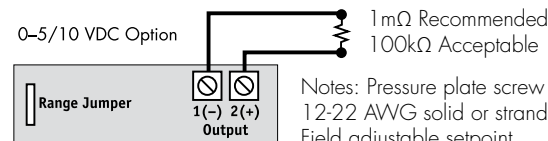
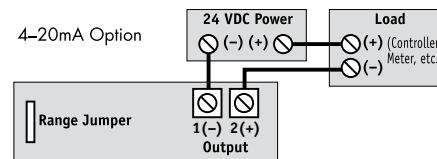
#### Isolation

- Output is magnetically isolated from the input for safety.
- Eliminates insertion loss (voltage drop).

#### UL, CUL and CE Approval

- Accepted worldwide.

### Connections

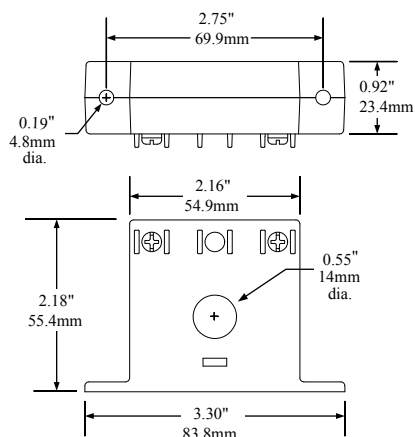


Notes: Pressure plate screw terminals. 12-22 AWG solid or stranded. Field adjustable setpoint.

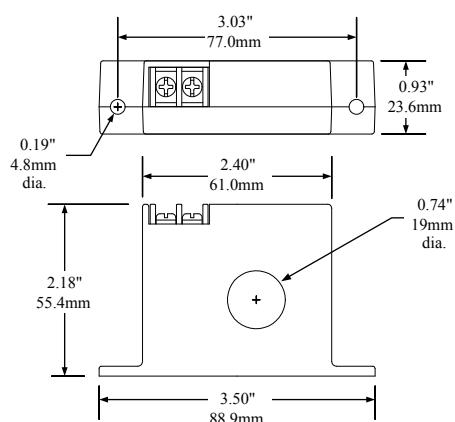


Dimensions

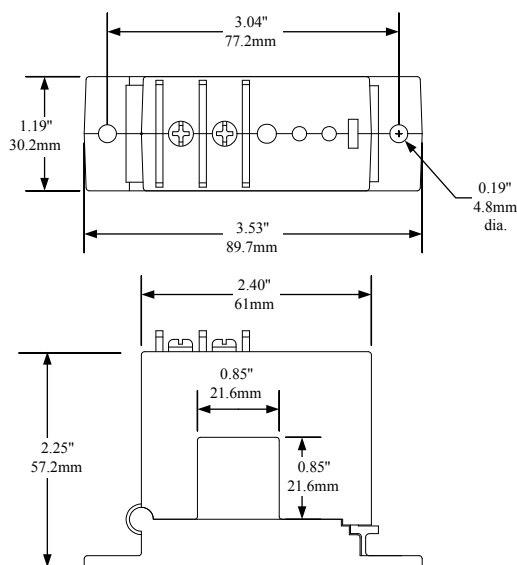
FF Case



FT Case



SP Case



Specifications

	-005 Model	-010 Model	-420 Model
Output Signal	0-5VDC	0-10VDC	4-20mA
Output Limit	8.2VDC	15VDC	32mA
Accuracy	1.0% FS		
Response Time (10-90% step change)	100 ms		300 ms
Frequency Range	50-60Hz		20-100Hz*
Other Frequencies	Special calibration available for any frequency from 10-400Hz*		
Power Supply	Self-powered		12-40VDC, Loop-powered
Loading	1 megohm minimum, 100k ohm add 1.3% error		See power requirements on page A80
Isolation Voltage	UL listed to 1,270VAC (tested to 5KV)		
Input Ranges	Field selectable ranges from 0-200A; custom ranges available; consult factory.		
Sensing Aperture	<ul style="list-style-type: none"> <li>-FF Case: 0.55" (14mm) dia.</li> <li>-FT Case: 0.74" (19mm) dia.</li> <li>-SP Case: 0.85" (21.6mm) sq.</li> </ul>		
Case	UL94 V0 Flammability Rated		
Environmental	-4 to 122°F (-20 to 50°C) 0-95% RH, non-condensing		
Listings	UL 508 Industrial Control Equipment (USA & Canada), CE		

\*For sinusoidal waveforms only. Select ATR Transducers for distorted waveforms.

Current Transducers

Ordering Information

Sample Model Number: AT1-005-000-SP  
AC current transducer, 10/20/50A range, self-powered with a 0-5VDC output in a split-core case.



(1) Full Scale Range

0	2 & 5A
1	10, 20, 50A
2	100, 150, 200A

(2) Output Signal

420	4-20mA
005	0-5VDC
010	0-10VDC

(3) Power Supply

24L	24VDC Loop-powered (4-20mA output ONLY)
000	Self-powered (0-5/0-10VDC output ONLY)

(4) Case Style

FF	Solid-core, Front Term.
FT	Solid-core, Top Term.
SP	Split-core

