

PBR SERIES

PowerBASE™ Relays

PBR PowerBASE™ Series are industrial-grade relays in a specially designed package. PBR relays quick connect to NK Technologies' top terminal AS and AT series current operated switches and transducers. This compact combination provides added function and flexibility.



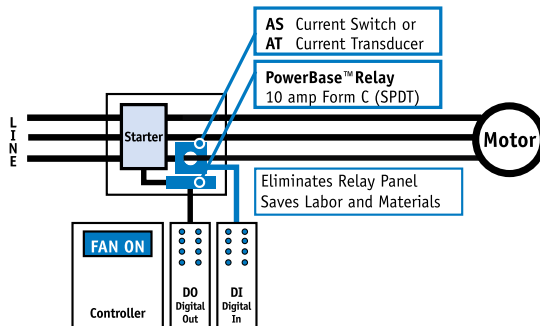
Applications

Motor Control

- Switches up to NEMA size 5 starter (200HP motor.)
- Directly controls fractional HP loads.

Heaters and Lamp Control

- Eliminates contactors for loads to 10A.



Features

PowerBASE™ Relay and Current Sensor Combo

- Acts as an "interposing relay."
- Isolates controller from line voltage.

Cuts Installation Costs

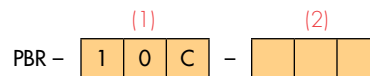
- Reduces electrician's labor.
- Eliminates need for relay panel.

UL, CUL and CE Approved

- Accepted worldwide.

Ordering Information

Sample Model Number: PBR-10C-24U
PowerBASE™ Relay with 10A contacts and universal 24-volt coil.



(1) Contact Rating

10C	10A Form C
-----	------------

(2) Coil Voltage (see specifications)

12U	12VAC/DC, Low Current
24U	24VAC/DC, Low Current

Specifications



Contacts	10A resistive, 7.2A inductive @ 240VAC
Coils	12U: 12VAC/DC ±30%, 18.5mA 24U: 24VAC/DC ±30%, 10mA
Dimensions	2.65" W x 1.5" D x 0.9" H, 4.5" Base
Case	UL94 V0 Flammability Rated
Compatibility	All "FT" and "SP" case models
Environmental	0 to 122°F (-18 to 50°C), 0-95% RH non-condensing
Listings	UL 508 Industrial Control Equipment (USA & Canada)

Test & Evaluation Units

For OEMs

Free program expedites evaluation process. See page 1 for details.