

# AMPFlasher™ ACI SERIES

## AC Current Indicators

The AMPFlasher™ ACI Series Current Indicator is a compact, inexpensive, easy-to-use LED ring which slips onto a conductor to give a flashing indication of current flow. Ideal for use in control panels, or wherever confirmation of current flow is desired, AMPFlasher™ current indicators are a cost-effective way to detect live conductors and see current flow to fans, heaters, pumps, lighting or other powered devices.



### AC Current Indicator Applications

- Quick visual status of electric motor load.
- Identify open heater circuit connection.
- Provide panel mounted indication of current draw on monitored load.
- Confirmation of operation for critical lighting or equipment.

### AC Current Indicator Features

#### Low Sensitivity Turn-On Point

- Detect currents as low as 0.5 A with a single conductor pass, eliminates the need to wrap conductors through multiple times to increase sensitivity.

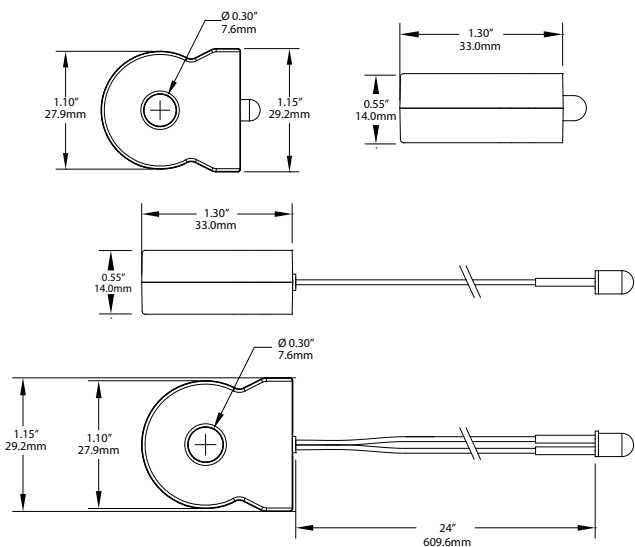
#### High Visibility Flashing LED

- Flashing LEDs perform better in daylight conditions and from multiple angles than constant on LEDs.

#### Choice of Outputs

- LED output standard, optional LED on 24" pigtails for remote indication.

### AC Current Indicator Dimensions



Note: Panel opening should be 0.267–0.273", panel thickness 0.32 to 0.125"

### AC Current Indicator Specifications



<b>Output/Indication</b>	<ul style="list-style-type: none"> <li>• Standard: LED (flashing, red)</li> <li>• Optional: 24" Pigtails for Remote LED</li> </ul>
<b>Indicating Range</b>	0.5 A–100 A
<b>LED On/Relay Trip Point</b>	<500 mA (factory set)
<b>Dimensions</b>	<ul style="list-style-type: none"> <li>• Overall: 1.125"W x 0.56"D x 1.5"H</li> <li>• Aperture: 0.30"ID</li> <li>• Pigtails: 24"</li> </ul>
<b>Case</b>	UL94 V0 Flammability Rated
<b>Mounting</b>	Slides directly onto monitored conductor
<b>Environmental</b>	-4 to 122°F (-20 to 50°C) 0–95% RH, non-condensing
<b>Frequency Response</b>	50–400 Hz
<b>Listings/Certifications</b>	UL 508 Industrial Control Equipment (USA & Canada)

### AC Current Indicator Ordering Information

Sample Model Number: ACI-0.5-L  
Current Indicator with 0.5 A sensitivity and red flashing LED.

ACI – (1) 0 . 5 – (2)

(1) Sensitivity Level

0.5	500 mA
-----	--------

(2) Indication/Output

L	LED (flashing, red)
P	24" Pigtails for remote LED

**OEMs**

**Test & Evaluation Units for OEMs**

Free program expedites evaluation process. See page 1 for details.

