

MADE IN USA

AMPFlasher™ ACI SERIES AC Current Indicators

Specifications

Output/Indication	Standard: ● LED (flashing, red) Optional: ● 24" Pigtails for Remote LED
Indicating Range	0.5A–100A
LED On/Relay Trip Point	<500mA (factory set)
Dimensions	● Overall: 1.125"W x 0.56"D x 1.5"H ● Aperture: 0.32"ID ● Pigtails: 24"
Case	UL94 V0 Flammability Rated
Mounting	Slides directly onto monitored conductor
Environmental	-44 to 122°F (-20 to 50°C) 0–95% RH, non-condensing
Frequency Response	50–400 HZ
Listings/Certifications	UL 508 Industrial Control Equipment (USA & Canada)



Ordering Information

Sample Model Number: ACI-0.5-L
Current Indicator with 0.5A sensitivity and red flashing LED.

ACI - (1) 0 . 5 - (2)

(1) Sensitivity Level

0.5 500 mA

(2) Indication/Output

L	LED (flashing, red)
P	24" Pigtails for remote LED

The **AMPFlasher™ ACI Series** Current Indicator is a compact, inexpensive, easy-to-use LED ring which slips onto a conductor to give a flashing indication of current flow. Ideal for use in control panels, or wherever confirmation of current flow is desired, AMPFlasher™ current indicators are a cost-effective way to detect live conductors and see current flow to fans, heaters, pumps, lighting or other powered devices.

Features

Low Sensitivity Turn-On Point

- Detect currents as low as 0.5A with a single conductor pass, eliminates the need to wrap conductors through multiple times to increase sensitivity

High Visibility Flashing LED

- Flashing LEDs perform better in daylight conditions and from multiple angles than constant on LEDs

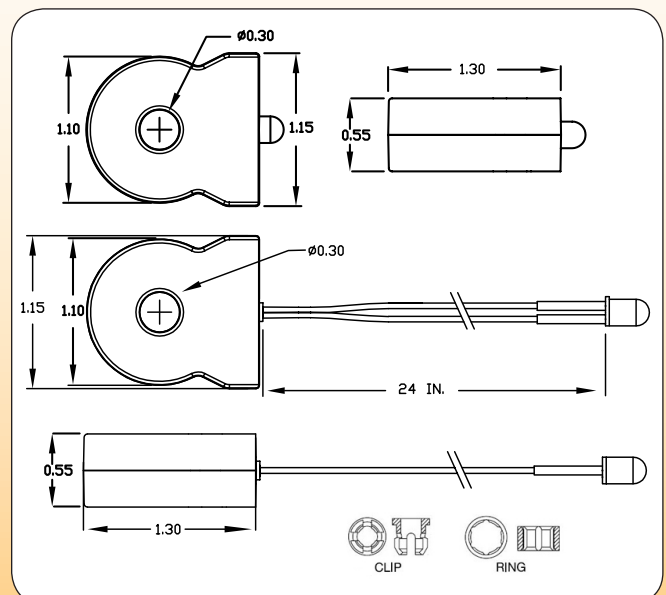
Choice of Outputs

- LED output standard, optional LED on 24" pigtails for remote indication

Applications

- Quick visual status of electric motor load.
- Identify open heater circuit connection.
- Provide panel mounted indication of current draw on monitored load.
- Confirmation of operation for critical lighting or equipment.

Dimensions



Note: Panel opening should be 0.267-0.273", panel thickness 0.32 to 0.125"