

PBR SERIES

PowerBASE™ Relays

PBR PowerBASE™ Series are industrial-grade relays in a specially designed case. PBR relays quick connect to NK Technologies' top terminal AS and AT series current operated switches and transducers. This compact combination provides added function and flexibility.

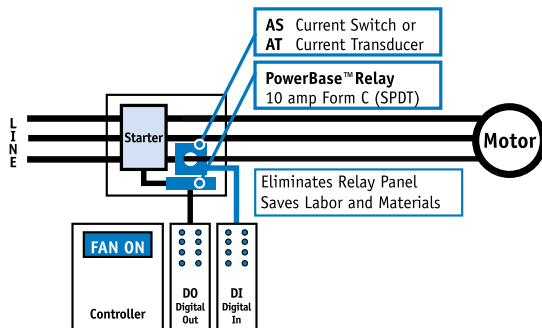
PowerBASE™ Applications

Motor Control

- Switches up to NEMA size 5 starter (200HP motor).
- Directly controls fractional HP loads.

Heaters and Lamp Control

- Eliminates contactors for loads to 10 A.



PowerBASE™ Features

PowerBASE™ Relay and Current Sensor Combo

- Acts as an interposing relay.
- Isolates controller from line voltage.

Cuts Installation Costs

- Reduces electrician's labor.
- Eliminates need for relay panel.

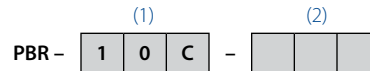
UL, CUL and CE Approved

- Accepted worldwide.

PowerBASE™ Ordering Information

Sample Model Number: PBR-10C-24U

PowerBASE™ Relay with 10 A contacts and universal 24 V coil.



(1) Contact Rating

10C	10 A Form C
-----	-------------

(2) Coil Voltage (see specifications)

12U	12 VAC/DC, Low Current
24U	24 VAC/DC, Low Current

PowerBASE™ Specifications



Contacts	10 A resistive, 7.2 A inductive @ 240 VAC
Coils	12U: 12 VAC/DC ±30%, 18.5 mA 24LU 24 VAC/DC ±30%, 10 mA
Dimensions	2.65" W x 1.5" D x 0.9" H, 4.5" Base
Case	UL94 V0 Flammability Rated
Compatibility	All "FT" and "SP" case models
Environmental	0 to 122°F (-18 to 50°C) 0-95% RH, non-condensing
Listings	UL 508 Industrial Control Equipment (USA & Canada)



Test & Evaluation Units for OEMs

Free program expedites evaluation process. See page 1 for details.