

AGT-FD SERIES

Ground Fault Measurement - Analog Output

AGT-FD Series ground fault sensors detect faults to earth from 0 mA to 100 mA and produce an output signal of 0–10 VDC in proportion to the amount of current passing to ground. The output is equal to the RMS value of the earth leakage. The AGT-FD can also be used to measure and monitor any low value AC circuit current by passing just one of the conductors through the sensing window.



Ground Fault Sensor Applications

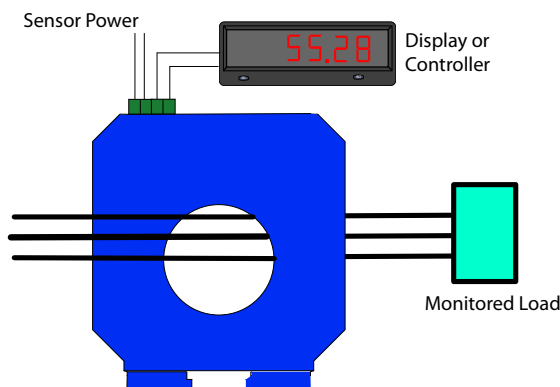
Current Leakage

- Monitor residual (earth leakage) current by passing all of the current carrying conductors through the sensing aperture.

Very Light Loads

- Monitor circuits of varying frequencies or distorted wave shapes, but very low current usage.

Display Shows Amount of Fault Current Present



Ground Fault Sensor Features

Analog Output Signal

- 0–5 or 0–10 VDC proportional to 0–100 mA.
- Sensing window large enough to monitor 100 amp circuits.

Externally Powered

- Low power consumption (< 2 VA).
- 24 Volt AC or DC (20–30 V).

Factory Calibrated

- Warranted to stay accurate for five years minimum.
- Compatible with most PLCs, panel meters and other controllers.

Large Solid-core Case

- Large sensing window provides ample space for multiple conductors.

DIN Rail* or Panel Mount

- Simple snap onto DIN rail.

UL, cUL and CE Approved

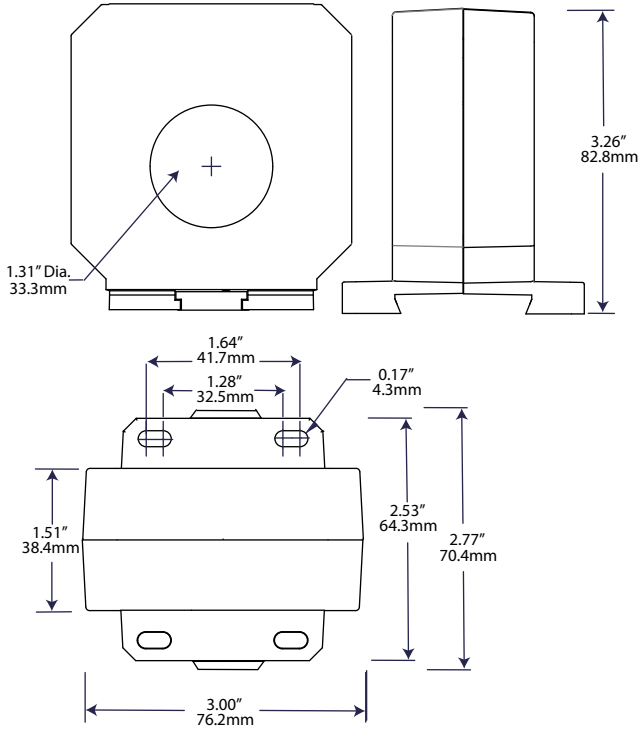
- Accepted worldwide.

*For information on the DIN rail accessories kit, see page 140.

OEMs Test & Evaluation Units for OEMs
Free program expedites evaluation process. See page 3 for details.

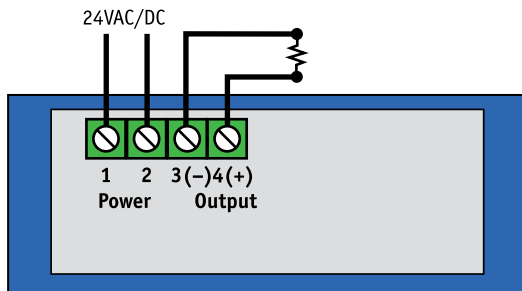


Ground Fault Sensor Dimensions



Ground Fault Protection

Ground Fault Sensor Connections



Ground Fault Sensor Specifications



Power Supply	24 VAC or DC (20–30 V)
Power Consumption	<2 VA
Output	0–5 VDC or 0–10 VDC
Input Range	0–100 mA
Response Time	250 ms (to 90% step change)
Isolation Voltage	UL listed to 1270 VAC, tested to 5 KV
Frequency Range	50–400 Hz
Case	UL94 V-0 Flammability Rated
Environmental	-4 to 122°F (-20 to 50°C) 0–95% RH, non-condensing
Listings	UL, cUL, CE

Ordering Information

Sample Model Number: AGT2-010-24U-FD
Ground fault sensor, output 0–10 VDC proportional to AC current, 24 VAC/DC powered, DIN rail or panel mounted.



(1) Model	2	0–100 mA
(2) Output Type	005	0–5 VDC proportional to AC current
	010	0–10 VDC proportional to AC current
(3) Power Supply	24U	24 VAC or DC
(4) Case	FD	Solid-core, DIN rail or panel mounting