

ASC SERIES

Factory-calibrated Current Operated Switches

ASC Series Current Sensing Switches are precision calibrated at the factory per customers' specifications and guaranteed within 1% accuracy. Because the switch is factory calibrated eliminating the need to turn the potentiometer to the correct position in the field, installation time is substantially reduced resulting in a significant cost savings. The ASC combines a current transformer, signal conditioner and limit alarm into a single package for use in status monitoring or proof of operation applications and is perfect for OEM applications where the need for a limit alarm is required. Available in a solid-core or a split-core case to maximize ease of installation.

Current Sensing Switch Applications

Electronic Proof of Flow

- Current operated switches eliminate the need for multiple pipe or duct penetrations and are more reliable than electromechanical pressure or flow switches.

Conveyors

- Detects jams and overloads.
- Interlocks multiple conveyor sections.

Lighting Circuits

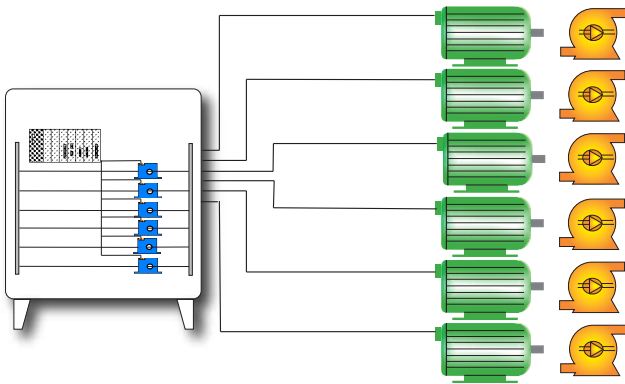
- Easier to install and more accurate than photocells.

Electrical Heaters

- Faster response than temperature sensors.

Air Handling Fan Protection

Factory-set trip points are ideal when there are several loads, all using the same motor to drive the fan blades.



- For additional Application Examples, go to www.nktechnologies.com/applications

OEMs

Test & Evaluation Units for OEMs

Free program expedites evaluation process. See page 3 for details.



US Patent 8698426

Current Sensing Switch Features

Universal Output

- N.O. or N.C. solid-state switch for control circuits up to 135 VAC/DC.
- Compatible with most automation systems.

Self-powered

- Cuts installation and operating costs.

Precision-calibrated Factory Set Trip Point

- Speeds startup.
- Improves safety.

Solid- or Split-core Case

- Versions tailored for each installation.

LED Indication

- Provides quick visual indication of contact status.

Built-in Mounting Feet

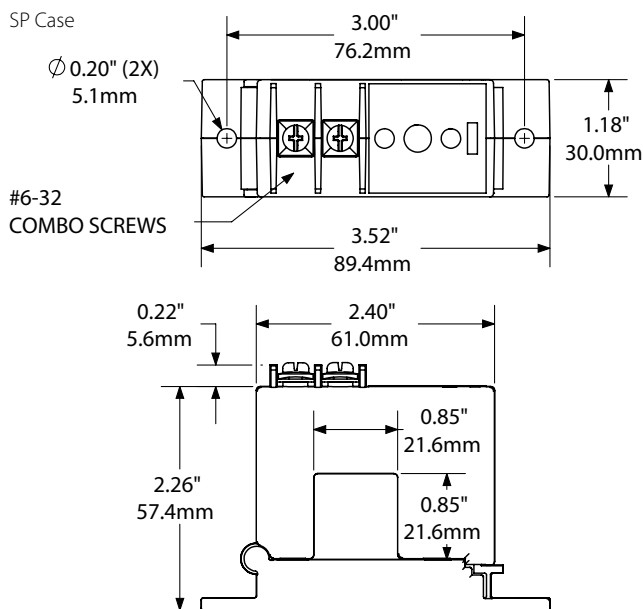
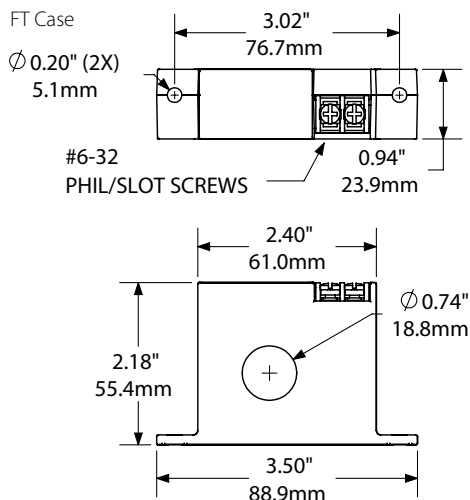
- Simple, two-screw panel mounting or attach with DIN rail adapters (included).*

Designed for UL/cUL and CE Approval

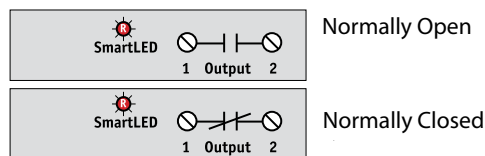
- Accepted worldwide.

*For information on the DIN rail accessories kit, see page 147.

Current Sensing Switch Dimensions



Current Sensing Switch Connections

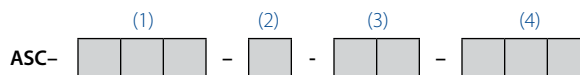


Current Sensing Switch Specifications

Power Supply	None, self-powered
Setpoint Range	<ul style="list-style-type: none"> • Solid-core: 2–150 A (factory set) • Split-core: 3–150 A (factory set)
Output Switch	Isolated solid-state switch
Output Rating	<ul style="list-style-type: none"> • N.O. Version: 0.3 A @ 135 VAC or VDC • N.C. Version: 0.2 A @ 135 VAC or VDC • Not polarity sensitive
Off-state Leakage	<10 μ A
Response Time	120 ms
Time Delay	None
Hysteresis	5%
Overload	400 A @ 6 sec., 1000 A @ 1 sec.
Isolation Voltage	Tested to 1270 VAC
Frequency	50 or 60 Hz
Case	UL94 V-0 Flammability Rated
Environmental	-4 to 122°F (-20 to 50°C) 0–95% RH, non-condensing
Listings	Designed for UL/cUL and CE approval

Current Sensing Switch Ordering Information

Sample Model Number: ASC-NOU-6-SP-090
 Factory set AC current operated switch, normally open, 60 Hz frequency, split-core case, 90 A trip point. (DIN rail adapters are included)



(1) Output Rating

NOU	Normally Open
NCU	Normally Closed

(2) Primary Circuit Frequency

6	60 Hz
5	50 Hz

(3) Case Style

FT	Solid-core, top terminal
SP	Split-core

(4) Factory Set Trip Point

002 to 150	Solid-core model factory-set trip point in amps.
003 to 150	Split-core model factory-set trip point in amps.

