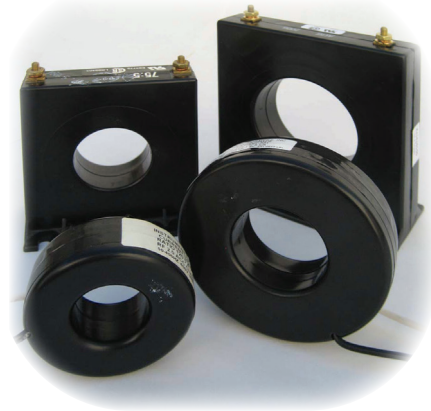


# CURRENT TRANSFORMERS

## 5 A Secondary

5 A Secondary Current Transformers offer a compact, cost-effective means of measuring primary current and providing 0–5 A secondary output proportional to the primary current being sensed. Available in a solid-core case.



### Current Transformer Features

- Solid-core case; choice of round with flying leads or square with terminals and integral feet for panel mounting.
- Aperture diameters from 1.13" to 2.5" ID.
- Agency approved.

### Current Transformer Applications

- Serves as current input for use with APT and APN Series KW transducers.
- Save space in control panels by remotely locating CTs closer to load.
- 5 A secondary compatible with standard products offering a 5 A analog input option.
- Broad line accommodates primary currents from 50 A to 1600 A.

### Current Transformer Specifications

<b>Power Supply</b>	None, Self-powered	
<b>Current Range</b>	See Ranges/VA Burdens	
<b>Output Signal</b>	0–5 A (AC)	
<b>Frequency Range</b>	50–400 Hz	
<b>Insulation Class</b>	0.6 KV BIL, 10 KV full wave	
<b>Accuracy</b>	ANSI rated, (<2.0%)	
<b>Allowable Burden</b>	See Ranges/VA Burdens	
<b>Rating Factor</b>	2.0 @ 30°C amb.	
<b>Sensing Aperture</b>	<b>Series</b>	<b>Aperture Size</b>
	2	1.13" (28.7 mm)
	5	1.56" (39.6 mm)
	7	2.50" (63.5 mm)

### Current Transformer Ranges/VA Burdens (max.)

VA (by CT Series)			Model	CT Ratio:5
2	5	7		
1	0.75	0.5	500	50
2	1.25	1	750	75
2.5	2.25	2	101	100
4	5	2.5	151	150
5	5	5	201	200
7.5	10	5	251	250
10	12.5	5	301	300
	12.5	12.5	401	400
	25	15	501	500
	25	25	601	600
	30	35	801	800
	35	35	102	1000
	40	40	122	1200
		50	152	1500
		50	162	1600

Note: For recommended lead length based on allowable burden, see the CT White Paper.

### Current Transformer Ordering Information

Sample Model Number: 5RL501-NK

Current transformer with 1.56" aperture, round doughnut case, and 500:5 ratio.

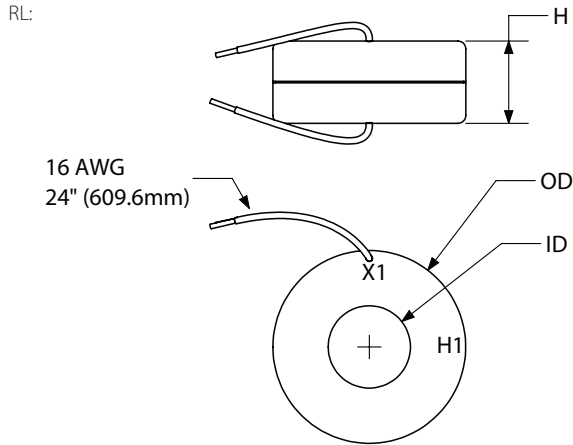
(1) (2) (3)  

5	R	L	5	0	1	-	NK
---	---	---	---	---	---	---	----

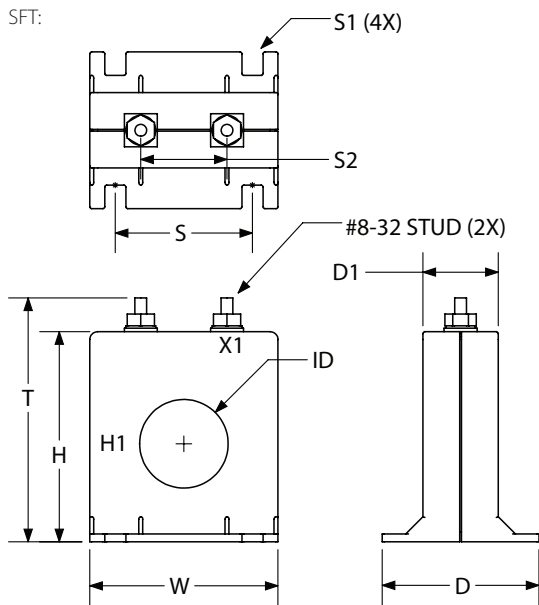
(1) Series	2, 5, or 7	CT Series
(2) Case	RL	Round doughnut
	SFT	Square, integral mounting feet
(3) Model	XXX	See Ranges/VA Burdens

**OEMs** **Test & Evaluation Units for OEMs**  
 Free program expedites evaluation process. See page 3 for details.

Current Transformer Dimensions



	2RL	5RL	7RL
OD	2.46" (62.5mm)	3.56" (90.4mm)	4.71" (119.6mm)
ID	1.05" (26.7mm)	1.56" (39.6mm)	2.50" (63.5mm)
H	1.05" (26.7mm)	1.10" (27.9mm)	1.12" (28.5mm)



	2SFT	5SFT	7SFT
W	2.40" (61.0mm)	3.53" (89.7mm)	4.54" (115.3mm)
T	3.11" (79.0mm)	4.22" (107.2mm)	5.28" (134.1mm)
H	2.68" (68.1mm)	3.79" (96.3mm)	4.85" (123.2mm)
S	1.75" (44.5mm)	2.74" (69.6mm)	3.76" (95.5mm)
S1	0.27 x 0.30" (6.9 x 7.6mm)	0.23 x 0.31" (5.8 x 7.9mm)	0.23 x 0.31" (5.8 x 7.9mm)
S2	1.10" (27.9mm)	3.00" (76.2mm)	3.50" (88.9mm)
D	2.00" (50.8mm)	2.15" (54.6mm)	2.15" (54.6mm)
D1	0.96" (24.4mm)	1.10" (27.9mm)	1.10" (27.9mm)
ID	1.13" (28.7mm)	1.56" (39.6mm)	2.50" (63.5mm)

Current Transformers

